



Standard Features & Accessories

Storage Drawers include

- Available widths match the outdoor warming drawers and provide a consistent look
- Extra-large storage capacity—perfect for storing barbeque tools, seasonings, and other grilling accessories
 - SD170T—2.2 cu. ft.
1.7 cu. ft.
 - SD100T—2.4 cu. ft.
1.9 cu. ft.
 - SD160T—3.0 cu. ft.
2.4 cu. ft.
- Can be installed indoors also
- Entire drawer removes for easy cleaning

- Constructed of durable 18-gauge, stainless steel for commercial-style construction, design, and styling
- Sealed to protect contents from the elements
- Equipped with a latch to keep drawers securely closed
- Stainless steel roller-bearing glides for smooth drawer operation

Access Doors include

- For installation with Viking Outdoor products
- Door(s) coordinate with other Viking outdoor products
- Rugged, stainless steel construction
- Tubular handle(s)

- Each door measures approx. 16"W. x 20"H.
- Hidden pivot point hinges
 - On AD1620T model, the door can be mounted with left or right door swing

Model Options



Storage Drawer



**AD1620T
Single Access Door**



**AD2820T
Double Access Doors**

FINISH DETAILS

- Stainless Steel (SS)
- Brass Trim Option (BR)—nameplate and handle/brackets. Brass components have a durable protective coating for maintenance-free normal use.

ORDERING INSTRUCTIONS

If ordering optional brass trim, specify code at end (SD170T-BR).





OUTDOOR—STORAGE

Built-In Storage Drawer & Access Doors



★ Please see Installation Notes and Accessories for important information, including grills.

Dimensions & Specifications

PRODUCT DIMENSIONS



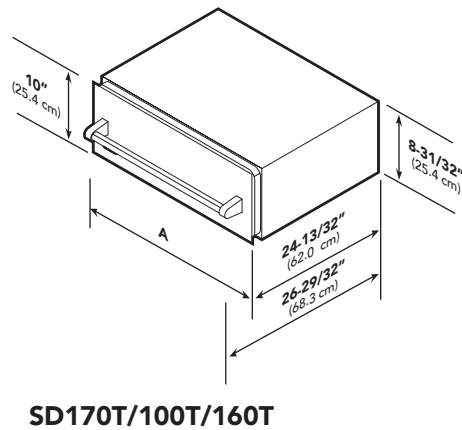
Storage Drawer



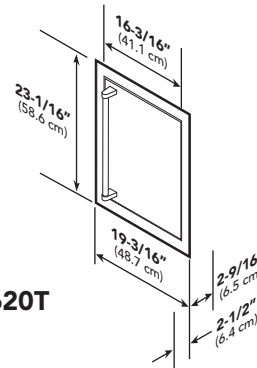
AD1620T
Single Access Door



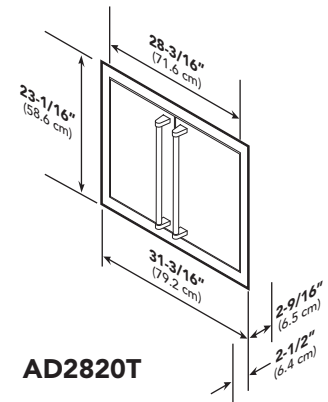
AD2820T
Double Access Doors



SD170T/100T/160T



AD1620T



AD2820T

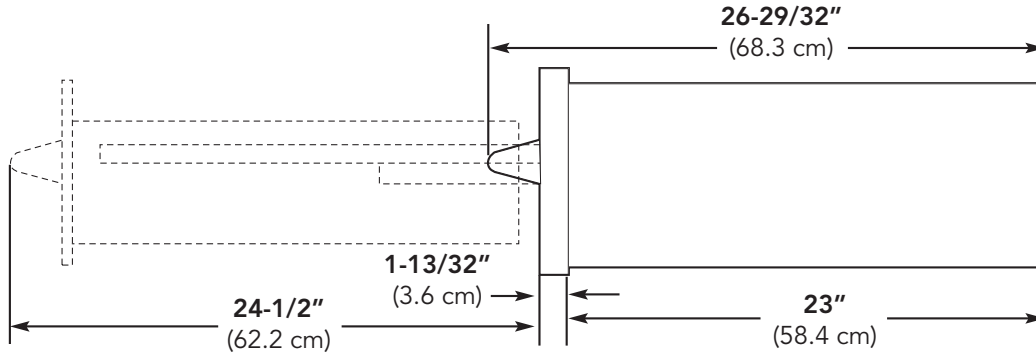
	SD170T	SD100T	SD160T
Overall width (A)	26-1/2" (67.3 cm)	29-1/2" (74.9 cm)	35-1/4" (89.5 cm)
Overall height (from bottom)	10" (25.4 cm)		
Overall depth (from rear)			
To front edge of trim	24-13/32" (62.0 cm)		
To end of handle	26-29/32" (68.3 cm)		
With drawer fully extended	49-3/32" (124.7 cm)		
Interior dimensions			
Interior width	21-3/8" (54.3 cm)	24-1/2" (62.2 cm)	30-1/8" (76.5 cm)
Interior height	5-7/8" (5.9 cm)		
Interior depth	23" (58.4 cm)		
Approx. ship weight lbs. (kg)	86 (38.7)	97 (43.5)	112 (50.4)
	AD1620T	AD2820T	
Overall width (including trim)	19-3/16" (48.7 cm)	31-3/16" (79.2 cm)	
Door(s) only	16-3/16" (41.1 cm)	28-3/16" (71.6 cm)	
Overall height (including trim)	23-1/16" (58.6 cm)		
Door(s) only	20-3/16" (50.9 cm)		
Overall depth (recessed)	2-9/16" (6.5 cm)		
From cabinet front to end of handle	2-1/2" (6.4 cm)		
With door fully open	15-7/16" (39.2 cm)	13-3/8" (34.0 cm)	
Approx. ship weight lbs. (kg)	50 (22.5)	75 (32.8)	



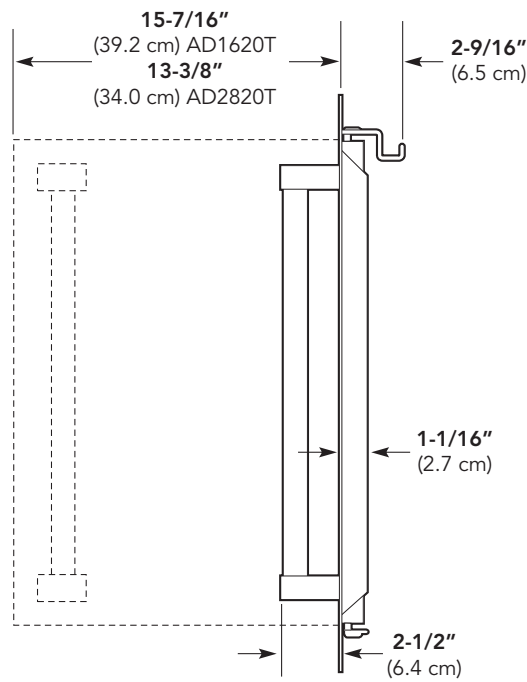


Dimensions & Specifications

DRAWER EXTENSION & DOOR SWING



SD170T/100T/160T



AD1620T/2820T



UTILITY REQUIREMENTS



GAS
• Not applicable



ELECTRICAL
• Not applicable



PLUMBING
• Not applicable

Installation Requirements

ACCESS REQUIREMENTS



Storage Drawer

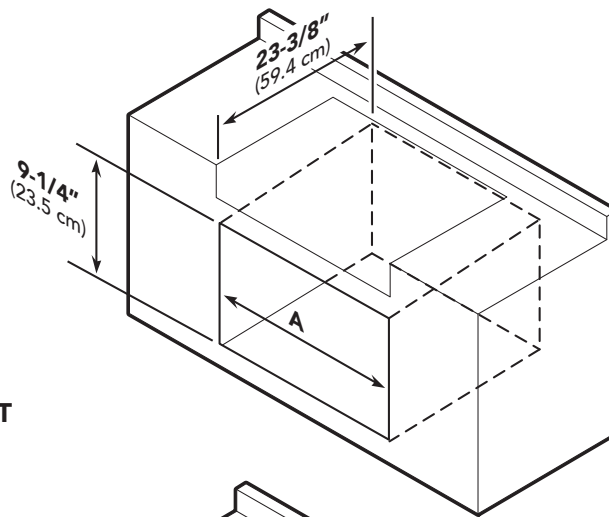


AD1620T
Single Access Door

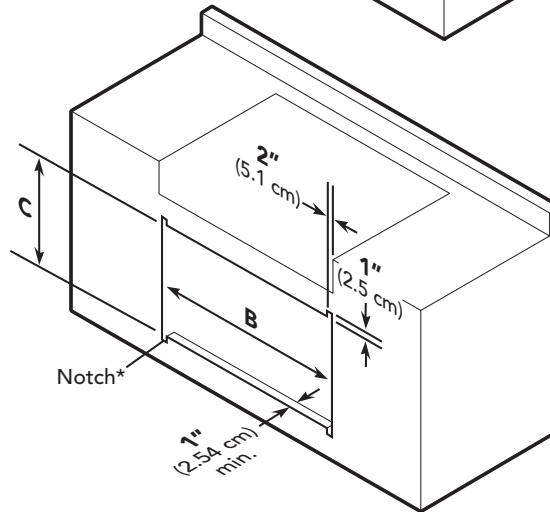


AD2820T
Double Access
Doors

SD170T/100T/160T



AD1620T/2820T



	SD170T	SD100T	SD160T
Cutout width (A)	25" (63.5)	28" (71.1 cm)	33-3/4" (85.7 cm)
Cutout height		9-1/4" (23.5 cm)	
Cutout depth		23-3/8" (59.4 cm)	
	AD1620T	AD2820T	
Cutout width (including notches*) (B)	16-1/4" (41.3 cm) min. to 18-1/4" (46.4 cm) max.	28-1/4" (71.8 cm) min. to 30-1/4" (76.8 cm) max.	
Cutout height (opening only) (C)	20-1/4" (51.4 cm) min. to 20-1/2" (52.1 cm) max.		
Cutout depth	1" (2.54 cm)		



OUTDOOR—STORAGE

Built-In Storage Drawer & Access Doors



WARRANTY SUMMARY*

- One-year full warranty—complete product (w/in-home repairs)
- Lifetime limited warranty—all stainless steel components (includes rust-through)
- Two-year limited warranty—door hinges/drawer slides
- Ninety-day limited warranty—cosmetic parts (glass, painted, & decorative items)

* For complete warranty see *Use & Care Guide*. Warranty valid on Viking products shipped within the United States and Canada.

